

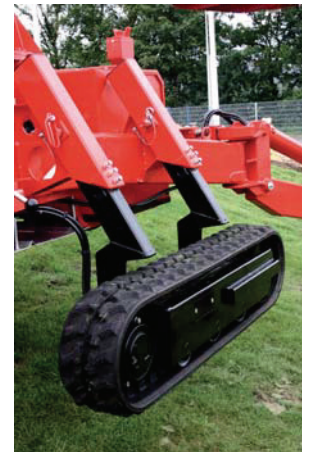
# Leo 25T

## Leo 25T

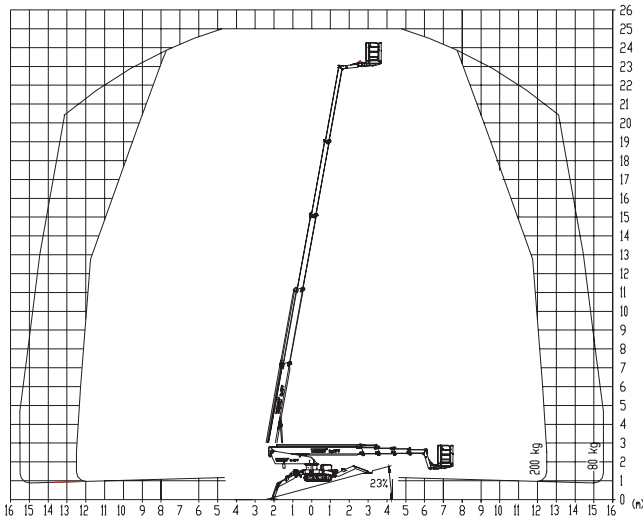
A 25 metre telescopic boom with 15.5 metres of outreach. This model has the distinct advantage of being towable with our special trailer behind a 4 x 4.

### Features

- Patented height and width adjusting track system
- Multi width stabiliser settings
- Low weight, transportable by trailer and 4x4 (gross weight <3500kgs with trailer)
- Multi-cylinder water cooled KUBOTA diesel engine
- 230v AC motor for indoor use (110v optional)
- Non-marking tracks are standard equipment



### LEO 25T



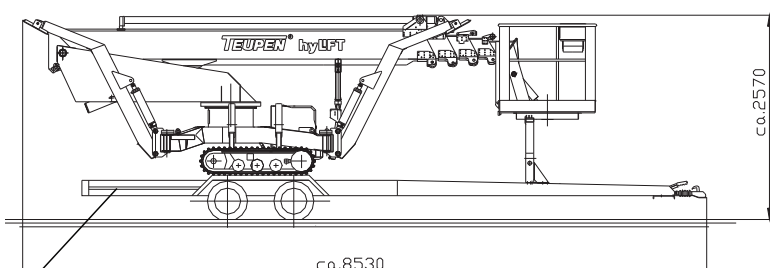
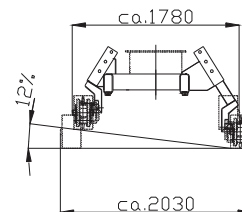
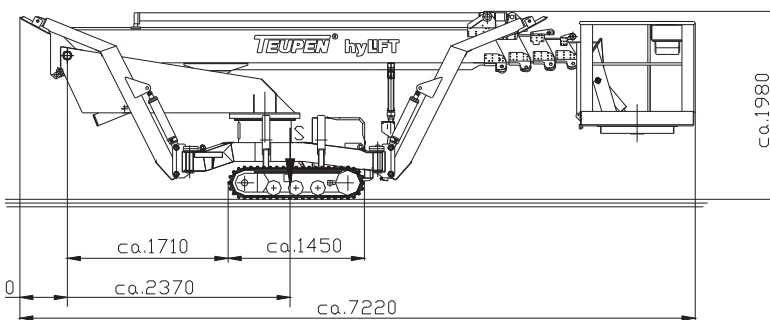
specifications	Leo 25T
Working height:	approx. 25.00 m
Cage floor height:	approx. 23.00 m
Lateral outreach to either side at 200kgs:	approx. 12.50 m
Lateral outreach to either side at 80kgs:	approx. 15.50 m
Safe load on cage:	max. 200 kgs
Working cage rot. hydr. around:	approx. 180°
Basket change system with basket (LxWxH)	approx. 1.2 x 0.8 x 1.1m
Overall length in travelling position:	approx. 7.22 m
Overall width in travelling position min:	approx. 1.78m
Overall height in travelling position min:	approx. 1.98 m
Trailing load:	approx. 2980 kgs
Jacked width (centre of jack plate):	approx. 4.34 m
Jacked width one side narrow (centre of jack plate):	min. 3.48 m
Jacked width both sides narrow (centre of jack plate):	min. 2.61 m
Range of rotation:	approx. 450°
Restricted range of rotation one side narrow / both sides narrow	40° / 220°
Size of stabilizing jack plate:	approx. 0.31 x 0.22 m
Max. load on jack plate per plate:	approx. 21.8 kN
Live load in standard work position:	approx. 1.54 kN/m <sup>2</sup>
Live load in travelling position:	approx. 2.27 kN/m <sup>2</sup>
To be jacked up to ground slope of:	approx. 23%
Angle of slope:	approx. 28%
Climbing ability:	approx. 30%
Height-adjustable crawlers:	approx. 0.2 m
Crawler width:	approx. 0.2 m
Driving speed:	approx. 1.5 m
Nominal input voltage:	230 V / 50 c. p. s.
Power consumption	1.5 kW / 9.9A



Driving engine Kubota - DIESEL D 722 - E	
Type	D 722-E
No. of cylinders:	3 in-line
Cubic capacity:	719 ccm
Cooling system:	water cooled
Max. output:	14 kW
Fuel tank capacity:	12 litre

Ancillary equipment	
Trailer for the road transport of the unit:	
Permissible total weight	approx. 3500 kgs

Specifications are subject to change without notice.



## Aerial Platforms Ltd.

A12 Kenyon Court, Walter Leigh Way  
Moss Industrial Estate, Leigh WN7 3PT  
Tel: 0800 085 3709 Fax: 01942 601738  
e.mail: [info@aerialplatformsltd.co.uk](mailto:info@aerialplatformsltd.co.uk)

[www.aerialplatformsltd.co.uk](http://www.aerialplatformsltd.co.uk)

