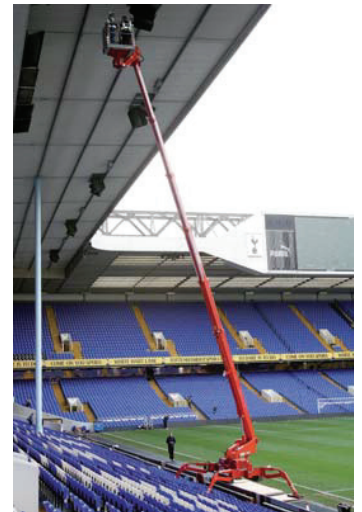


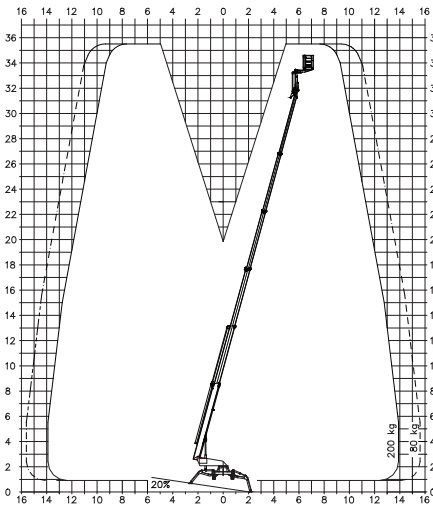
# Leo 36T

## Leo 36T

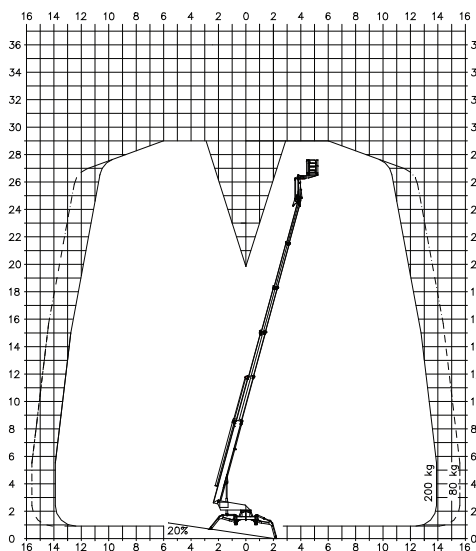
Renowned worldwide for maximum performance and productivity. Feature packed and user friendly, a favourite amongst Spiderlift users.



### LEO 36 with full width stabilizer setting



### LEO 36 with narrow stabilizer setting



dimensions in metres

### Features

Trapezoid shaped, self catering boom design

Patented height adjusting track system

Multi width stabiliser settings

Stair climb feature

Multi cylinder water cooled KUBOTA diesel engine

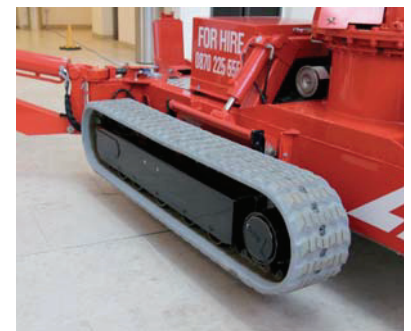
230v AC motor for indoor use (400v optional)

Non marking tracks are standard equipment

**TEUPEN**<sup>®</sup>  
...work safely aloft



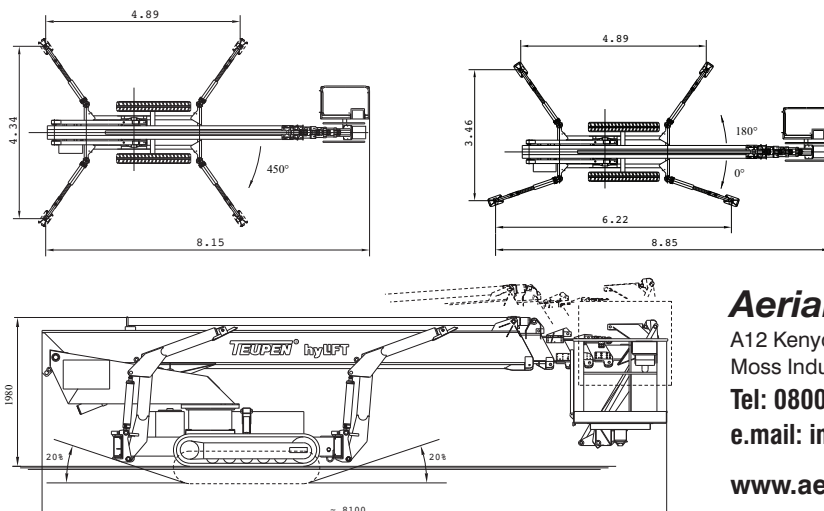
specifications	Leo 36T
Working height:	approx. 35.50 m
Cage floor height:	approx. 33.90 m
Lateral outreach to either side at 200kgs:	approx. 13.90 m
Lateral outreach to either side at 80kgs:	approx. 15.60 m
Safe load on cage:	max. 200 kgs
Working cage rot. hydr. around:	180°
Swivelling range of art. top boom:	180°
Size of working cage (LxWxH):	approx. 1.2 x 0.8 x 1.1 m
Overall length in travelling position:	approx. 8.10 m
Overall width in travelling position min:	approx. 1.58 m
Overall width in travelling position max:	approx. 1.98 m
Range of rotation:	approx. 450°
Total weight:	approx. 4850 kgs
Max. load on jack plate per plate:	approx. 35kN
Size of stabilizing jack plate:	approx. 0.31 m x 0.22 m
Surface load in standard work position:	approx. 2.4 kN/m <sup>2</sup>
Ground pressure in travelling position:	approx. 6.4 N/cm <sup>2</sup>
Standard jacked area (LxW):	approx. 4.89 x 4.34 m
Loading possibility (WxH):	approx. 2.40 x 1.10 m
To be jacked up to ground slope:	approx. 20 %
Chassis to be adj. in height hydr. by:	approx. 0.22 m
Ground clearance:	approx. 0.31 m
Climbability:	approx. 20 %
Travelling speed up to:	0 to 3 km/h
Range of wireless control:	approx. 100m
Control voltage:	24 V
Electric-drive:	230 V / 400 V



Technical data for cut-out setting at 29 m	
Working height:	approx. 29.00m
Cage floor height:	approx. 27.00m
Restricted range of rotation (one side narrow)	180°

Vertikal, water-cooled, 3-cylinder 4-cycle diesel engine	
Cubic capacity:	1001 cm <sup>2</sup>
Maximum output:	15.1 kW (20HP)
Fuel Type:	Diesel
Noise emission:	approx. 77 dB (A) (at a distance of 7m)

Specifications are subject to change without notice.



## Aerial Platforms Ltd.

A12 Kenyon Court, Walter Leigh Way  
Moss Industrial Estate, Leigh WN7 3PT

Tel: 0800 085 3709 Fax: 01942 601738

e.mail: [info@aerialplatformsltd.co.uk](mailto:info@aerialplatformsltd.co.uk)

[www.aerialplatformsltd.co.uk](http://www.aerialplatformsltd.co.uk)

