

Features

- Trapezoid shaped, self centring boom design
- Patented height adjusting track system
- Multi width stabiliser settings
- Stair climbing feature
- Multi cylinder water cooled
- KUBOTA diesel engine
- 400v AC motor for indoor use
- Non marking tracks are standard equipment



Double doorway access.



Leo 40GTX

Leo 40GTX

The latest addition to the Teupen Spiderlift range, designed for indoor or outdoor use. With a potential 400kg working load and articulating boom this model provides the complete specialist access solution.



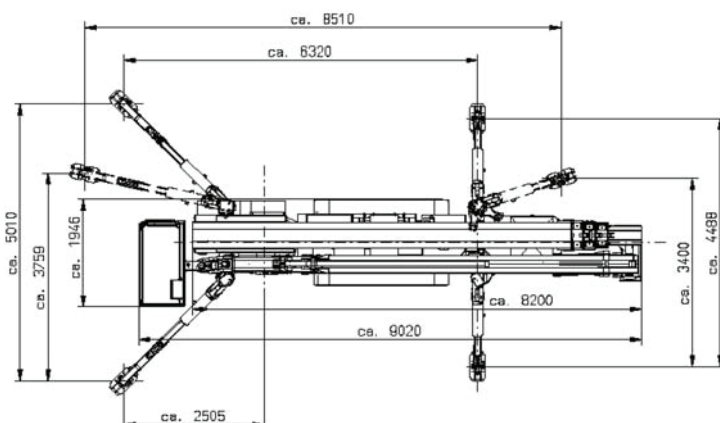
Extreme leveling ability

specifications	Leo 40GTX
Working height 200kgs:	approx. 39.50 m
Cage floor height 200kgs:	approx. 37.50 m
Lateral outreach to either side at 200kgs:	approx. 16.00 m
Working height 400kgs:	approx. 36.50 m
Cage floor height 400kgs:	approx. 34.50 m
Lateral outreach to either side 400kgs:	approx. 13.00m
Articulation height:	approx. 23.50 m
Safe load on cage:	max. 400 kgs
Working cage rot. hydr. around:	180°
Basket change system with basket (LxWxH)	1.5 x 0.8 x 1.1 m
Overall width in travelling position:	approx. 8.20 m
Overall width in travelling position min:	approx. 1.58 m
Overall height in travelling position min:	approx. 1.98 m
Trailing load:	approx. 11.70 t
Jacked with one side narrow (centre of jack plate):	min. 3.76 m
Range of rotation:	approx. 450°
Restricted range of rotation one side narrow:	approx. 120°
Size of stabilizing jack plate:	0.52 m x 0.27 m
Max. load on jack plate per plate:	approx. 75kN
Live load in standard work position:	approx. 4.00 kN/m ²
Live load in travelling position*	approx. 4.80 kN/m ²
To be jacked up to ground slope of:	approx. 30%
Angle of slope:	approx. 30%
Climbing ability:	approx. 30%
Height-adjustable crawlers:	approx. 0.5 m
Crawler width:	approx. 0.4 m
Driving speed:	approx. 0-1.6 km/h
Normal input voltage:	400 V /32 A

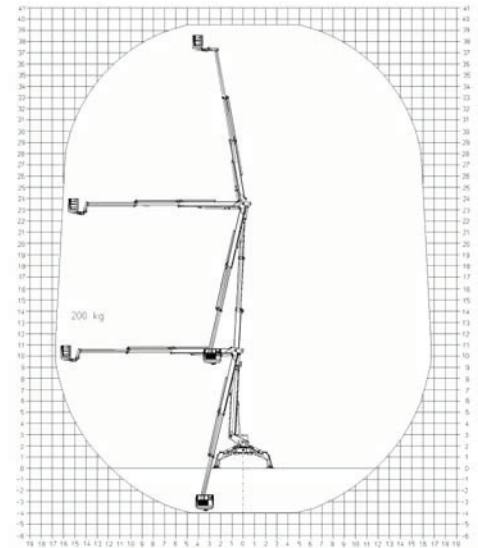
Driving engine Kubota - DIESEL V 2203-M	
Manufacturer:	Kubota
Type:	V 2203-M
No. of cylinders:	4 in line
Cubic capacity:	2197 cm ³
Cooling system:	water cooled
Max. output:	36 kW
Fuel tank capacity:	approx. 68 Litre

Specifications are subject to change without notice.

* Technical data with standard equipment, with cordon 10 m x 2.4 m.

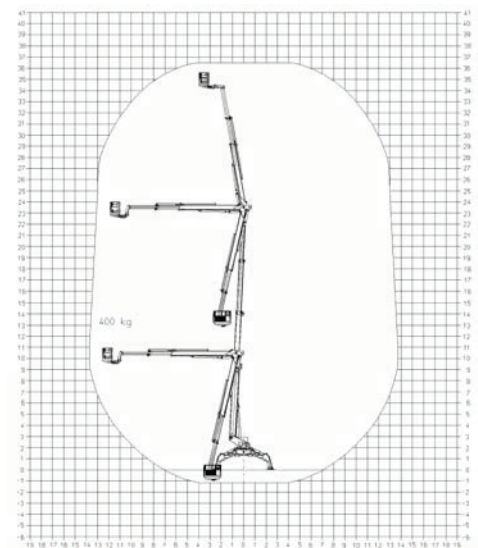


LEO 40GTX



dimensions in metres

LEO 40GTX



dimensions in metres

Aerial Platforms Ltd.

A12 Kenyon Court, Walter Leigh Way
Moss Industrial Estate, Leigh WN7 3PT

Tel: 0800 085 3709 Fax: 01942 601738

e.mail: info@aerialplatformsltd.co.uk

www.aerialplatformsltd.co.uk