

# Model 1850SJ

## TELESCOPIC BOOM LIFTS



### MORE ECONOMIC

- Lower hydrocarbon, carbon monoxide, particulate and NOx emissions with Stage IIIB-compliant engine.

### MORE PRODUCTIVE

- Reach higher with world's tallest self-propelled telescopic boom lift. Up to 56.56 m of working height.

### MORE ACCESS

- Dual capacity and class-leading reach in every direction.

### SMART DESIGN

- Fewer buttons and switches used to position the platform and less time spent learning to use the platform controls.

### Standard Features

- Platform 0.91 x 2.44 m
- Side entry with drop bar mid rail
- Drive-Out Extendable Axles
- 173° Hydraulic Platform Rotator
- Swing-Out Engine Tray
- 12V-DC auxiliary power
- Hour meter
- Control ADE® Advanced Design Electronics System
- Gull-Wing Steel Hoods
- Platform console machine status light panel\*
- Lifting/Tie Down Lugs
- Engine Distress Warning/Shut down system
- LCD Panel at Operator's Platform
- Platform Tool Tray
- 3.96 m to 6.10 m Telescoping jib
- Four wheel steer / two wheel steer/crab steer
- Powered side stow on jib
- Selectable dual platform capacity system (230 kg/450 kg)
- Four wheel drive
- Load sensing hydraulics
- Selectable creep speed on drive / lift and swing functions
- AC cable to platform
- 5 degree tilt alarm and indicator light
- Interactive Display at Ground Controls
- Horn
- Multiple function operation
- Full proportional drive joystick control with integral thumb steer switch
- Full proportional main boom and swing joystick control
- Multiple speed control for telescope
- Load sensing system
- Ground control selector switch with key lock
- Hydrostatic drive transmission
- 2.44 m articulating jib
- JLG Skyguard active system

\* Provides indicator lights at platform control console for system distress, fuel level, low fuel, 5 degree tilt light, foot switch status and SkyPower® Package 2.

### Standard Specifications

#### Power Source

- Diesel Engine Deutz 74.4 kW
- Fuel Tank Capacity 200 L

#### Hydraulic System

- Hydraulic Tank Capacity 284.2 L
- Auxiliary Power 12V DC



### Accessories & Options

- 0.91 m x 1.83 m Self closing inward swing gate
- Light Package <sup>1</sup>
- Soft Touch 0.91 m x 2.44 m Platform Proximity System with Fall Arrest
- Cold Weather Start Kit <sup>2</sup>
- Hostile Environment Kit <sup>3</sup>
- Flashing Amber Beacon
- Cold Package Plus <sup>4</sup>
- Synthetic Biodegradable Hydraulic Oil
- SkyWelder® Package <sup>2</sup>
- Nite Bright® Package <sup>2</sup>
- Skyglazier package
- Skyguard beacon (ILOS)
- Arctic package
- Skypower 7,500W on-board generator package
- Generator hourmeter
- Hydraulic Oil Cooler (Deutz)
- Platform worklights
- Head & Tail Lights
- 13mm airline to platform
- All motion alarm
- Euro Plug & Socket
- Special paint colour
- All Motion Alarm
- 445/65-24 Solid Tyres
- Spark arresting type muffler



Unit A12/A13  
Kenyon Court  
Walter Leigh Way  
Moss Industrial Estate  
Leigh, WN7 3PT



0800 085 3709



info@aerialplatforms.co.uk



# Model 1850SJ

## TELESCOPIC BOOM LIFTS

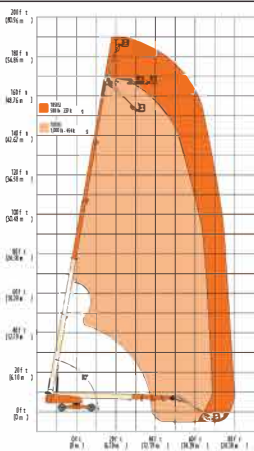
### Performance

• Working Height	58.56 m
• Working Outreach	25.03 m
• Below Ground Reach	1.47 m
• Swing	360° Continuous
• Platform Capacity	
Restricted	454 kg
Unrestricted	227 kg
• Platform Rotator	173° Hydraulic
• Jib Length	3.96–6.1 m
• Jib Range of Articulation	120° (+75, -45)
A. Platform Size	0.91 m x 2.44 m
B <sup>1</sup> . Overall Width (Axles Retracted)	2.49 m
B <sup>2</sup> . Overall Width (Axles Extended)	5.03 m
C. Tailswing (working condition)	2.31 m
D. Stowed Height	3.05 m
E <sup>1</sup> . Stowed Length	19.46 m
E <sup>2</sup> . Transport length	14.58 m
F. Wheelbase (Axles Extended)	4.57 m
• Weight <sup>1/2</sup>	27,184 kg
• Max. Ground Bearing Pressure <sup>2</sup>	8.41 kg/cm <sup>2</sup>
• Drive Speed	4.5 km/h
• Gradeability	40%
• Turning Radius (Inside)	
Axles Retracted	7.12 m
Axles Extended	2.3 m
• Turning Radius (Outside)	
Axles Retracted	9.52 m
Axles Extended	6.6 m

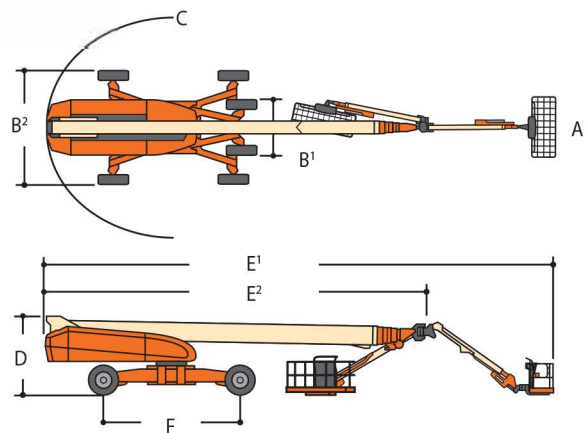


<sup>1</sup> Certain options or country standards increase weight.  
<sup>2</sup> With Standard tires

### Reach Diagram



### Dimensions



Unit A12/A13  
 Kenyon Court  
 Walter Leigh Way  
 Moss Industrial Estate  
 Leigh, WN7 3PT



0800 085 3709

info@aerialplatforms.co.uk

