

Model 800S TELESCOPIC BOOM LIFTS

JLG®

MORE ECONOMIC

- Lower hydrocarbon, carbon monoxide, particulate and NOx emissions with Stage IIIB-compliant engine.

MORE PRODUCTIVE

- Equipped with hydrostatic drive for easy, precise, infinitely-variable-speed manoeuvrability.

MORE ACCESS

- Conquer rough terrain with standard oscillating axle and four-wheel drive, delivering optimised grip and stability.

SMART DESIGN

- Fewer buttons and switches used to position the platform and less time spent learning to use the platform controls.



Standard Features

- 0.91 m x 2.44 m low mount platform
- Side entry with drop bar mid rail
- Multiple function operation
- Full proportional drive joystick control with integral thumb steer switch
- Full proportional main boom and swing joystick control
- Multiple speed control for telescope and platform rotate
- Selectable creep speed on drive / lift and swing functions
- 180 degree powered platform rotator
- Platform console machine status light panel ¹
- Load sensing system
- AC cable to platform
- Engine distress warning/shut down system ²
- Gull-wing hoods
- Swing-out engine tray
- Spark arresting type muffler
- Control ADE* - Advanced Design Electronics System
- Hydrostatic drive transmission
- Horn
- Load sensing hydraulics
- Lifting/tie down lugs
- Hour meter
- Ground control selector switch with key lock
- Platform tool tray
- 12V DC auxiliary power
- 4 degree tilt alarm and indicator light
- Oscillating front axle
- Four wheel drive
- JLG Skyguard active system

¹ Provides indicator lights at platform control console for system distress, low fuel, tilt light, and foot switch status.

² Low oil pressure and high coolant temperature alarms with shut-down enabled/disabled by analyser.

Standard Specifications

Power Source	
• Diesel Engine - Deutz TD 2.9 L4	50kW
• Fuel Tank Capacity	117 L
Hydraulic System	
• Hydraulic System	235 L
• Auxiliary Power	12V DC
Tyres	
• Tyres	18 - 625 Foam Filled

³ Available when integrated with the SkyPower* package.

⁴ Consists of six 40-watt lights, four turntable mounted lights and two platform mounted lights.

⁵ Available only with two wheel drive on models 800S and 860SJ.

⁶ Includes all-motion alarm and flashing amber beacon.

⁷ Includes platform mounted work lights and head & tail lights.

⁸ Includes console cover, boom wipers and cylinder bellows.

Accessories & Options

- 0.91 m x 1.83 m slide bar side entry platform
- 0.91 m x 1.83 m Self closing inward swing gate
- 13 mm air line to platform
- On-board 4,000 W generator
- SkyPower* package 7,500 watt on-board generator
- SkyWelder* package 250 amp welder in the platform ³
- Nite-Bright* package ⁴
- Hostile environment kit ⁸
- Hydraulic oil cooler
- Flashing amber beacon
- All motion alarm
- Alarm package ⁶
- Light package ⁷
- Head and tail lights
- Euro Plug & Socket
- 18 - 625 foam filled Non Marking Tyres
- Skyguard beacon (ILOS)
- Soft Touch 0.91 m x 1.83 m Platform Proximity System
- Pipe racks
- Platform worklights
- Arctic package
- Generator hourmeter
- Synthetic Biodegradable Hydraulic Oil
- Special paint colour
- Spark Arrester Muffler
- Two Wheel Drive



Unit A12/A13
Kenyon Court
Walter Leigh Way
Moss Industrial Estate
Leigh, WN7 3PT

APL
AERIAL PLATFORMS

0800 085 3709



info@aerialplatforms.co.uk



Model 800S

TELESCOPIC BOOM LIFTS

Performance

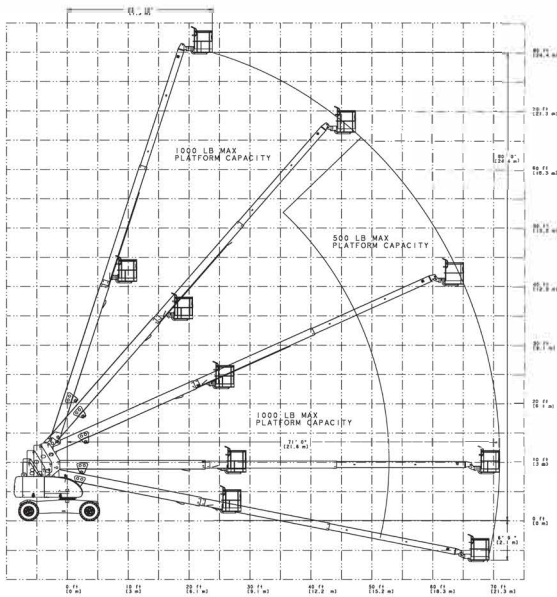
- Working Height 26.38 m
- Working Outreach 22.29 m
- Swing (Continuous) 360°
- Platform Capacity – Unrestricted 230 kg
- Platform Rotator (Hydraulic) 180°
 - A. Platform Size 0.91 m x 2.44 m
 - B. Overall Width 2.49 m
 - C. Tailswing (working condition) 1.42 m
 - D. Stowed Height 3.02 m
 - E. Stowed Length 11.35 m
 - F. Wheelbase 3.05 m
 - G. Ground Clearance 0.30 m
- Machine weight ^{1/2} 15,800kg
- Maximum Ground Bearing Pressure ² 5.6 kg/cm²
- Drive Speed 4WD 5.6 km/h
- Gradeability 4WD 45%
- Axle Oscillation 0.20 m
- Turning Radius – Inside 3.81 m
- Turning Radius – Outside 6.02 m

¹ Certain options or country standards may increase weight and/or dimensions.

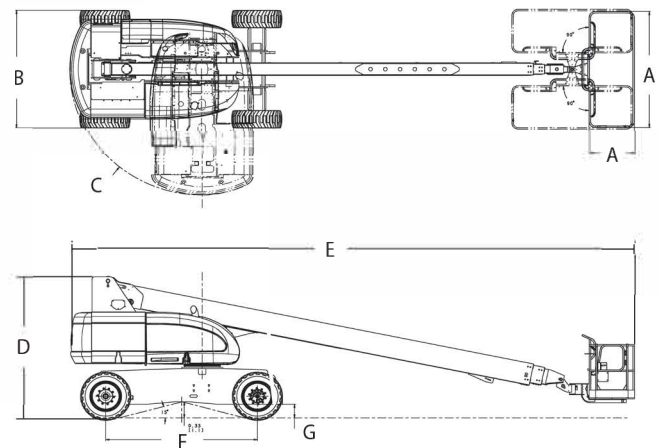
² With Standard tires



Reach Diagram



Dimensions



Unit A12/A13
 Kenyon Court
 Walter Leigh Way
 Moss Industrial Estate
 Leigh, WN7 3PT



0800 085 3709

info@aerialplatforms.co.uk

