

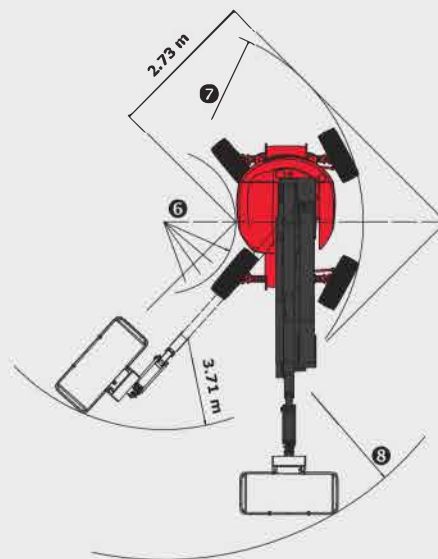
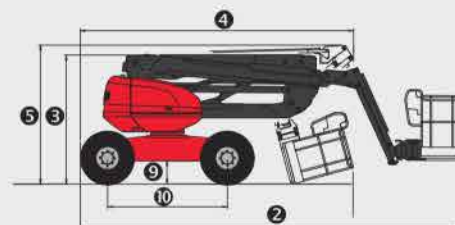
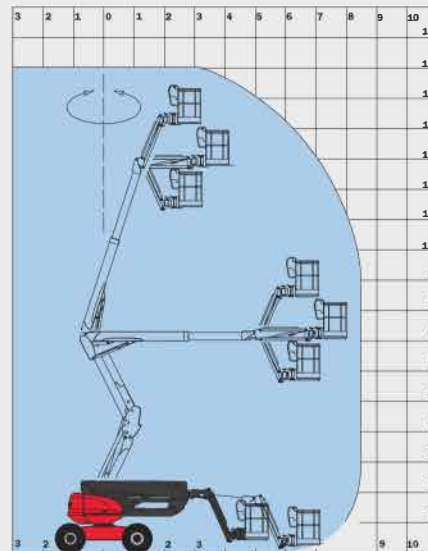


# 160 ATJ +

		160 ATJ +
	<b>Working height</b>	16.25 m
	<b>Platform height</b>	14.25 m
	<b>Articulation height</b>	7.00 m
	<b>Outreach</b>	8.95 m
	<b>Jib tilting</b>	+70°/-70°
	<b>Basket rotation</b>	+90°/-90°
	<b>Turret rotation</b>	350°
	<b>Capacity</b>	400 kg
	<b>Number of persons</b> (indoor/outdoor)	2/2
	<b>Basket</b> (width and length)	2.30 x 0.93 m
	<b>1. Overall width</b>	2.30 m
	<b>2. Overall length</b>	6.93 m
	<b>3. Overall height</b>	2.37 m
	<b>4. Overall length when folded</b>	4.94 m
	<b>5. Overall height when folded</b>	2.70 m
	<b>6. Inside turning circle</b>	1.32 m
	<b>7. Outside turning circle</b>	3.68 m
	<b>8. Turning Radius</b> (basket)	6.39 m
	<b>9. Ground clearance</b>	42.5 cm
<b>10. Wheelbase</b>	2.20 m	
	<b>Speed of forward movement</b>	6 kph
	<b>Working speed</b>	0.80 kph
	<b>Maximum slope accessible</b>	40%
	<b>Maximum tilt</b>	5° - 9%
	<b>Tyres</b>	18"
	<b>Driving wheels</b>	4
	<b>Steering/directional wheels</b>	4
	<b>Weight</b>	8100 kg
	<small>(varies according to options &amp; standards of the country)</small>	
	<b>Engine</b>	KUBOTA V2403-M
	<b>Power</b>	45 HP
	<b>Environmental noise</b> (LwA)	101 dB



## Standard equipment

- Large Basket
- Proportional levers
- 4 simultaneous movements
- 4 wheel drive
- 4 wheel steer
- Wheels crab position
- Foam filled tyres
- Differential Lock
- Front Axle limited slip differential
- On Board Diagnostics
- Hour meter
- Fuel gauge with low level warning
- Tool box
- Protective cover with optional locking
- Horn
- Beacon
- Audible and visual display alarm for excessive slope
- Code Protected Machine Set Up
- Hooks for sling loading/lifting
- Electric Pump
- Predisposition 230V
- Dead man pedal

## Optional equipment

- Oscillating Axle
- Continuous Rotation
- Onboard generator (3.50 kVA)
- Onboard generator (5.50 kVA)
- High capacity battery
- 230V power input with differential circuit-breaker
- Predisposition compressed air
- Predisposition of water
- Working light
- Special paint
- Biodegradable oil
- Warning Alarm for all movements
- Warning Travel Alarm
- Catalytic Converter
- Spark Arrester and overrun valve
- Anti Theft code
- 20" Wheels
- Non Marking tyres
- Certificate of verification
- Safety harness
- High capacity battery

Unit A12/A13  
 Kenyon Court  
 Walter Leigh Way  
 Moss Industrial Estate  
 Leigh, WN7 3PT

**APL**  
 AERIAL PLATFORMS

0800 085 3709

info@airialplatforms.co.uk

