

200 ATJ



The working area

Working height20.00 m
 Platform floor height18.00 m
 Max. outreach12.00 m
 Up and over clearance8.00 m
 Basket rotation+90°/-90°
 Turret rotation355°



The platform

Capacity230 kg
 External use45 km/h
 Basket size2.10 m x 0.80 m



The overall dimensions

① Width2.40 m
 ② Length8.50 m
 ③ Length (Travel/transport)6.30 m
 ④ Height2.70 m
 ⑤ Height (Travel/transport)3.15 m



The movements

⑥ Inside turning radius1.30 m
 ⑦ Outside turning radius3.95 m
 ⑧ Outside turning radius with basket7.45 m
 ⑨ Ground clearance43 cm
 ⑩ Wheelbase2.40 m
 Working speed (km/h)0.8 km/h
 Maximum travel speed (km/h)4.7 km/h



The diesel engine

KUBOTA V 2403 M45 cv



The Rough Terrain capabilities

Gradeability on rough terrain40%
 Max. slope accepted5° or 9%



Hydraulic tank75 l.
 Diesel tank80 l.



Tyres20"



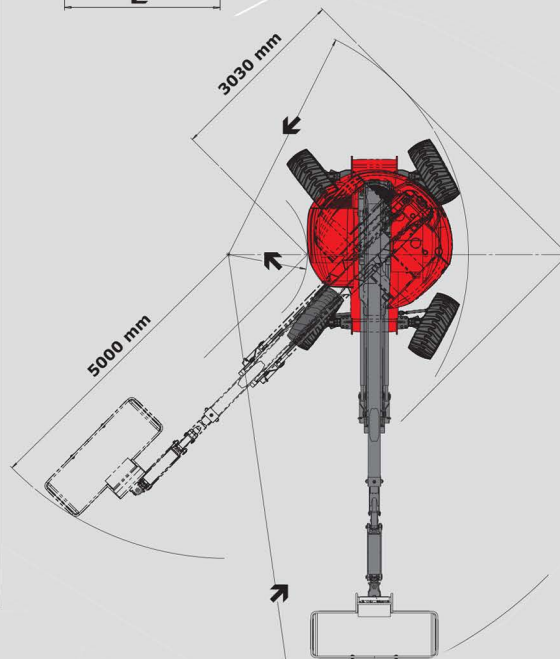
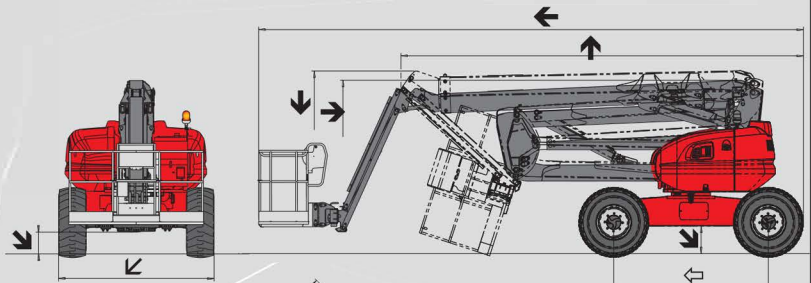
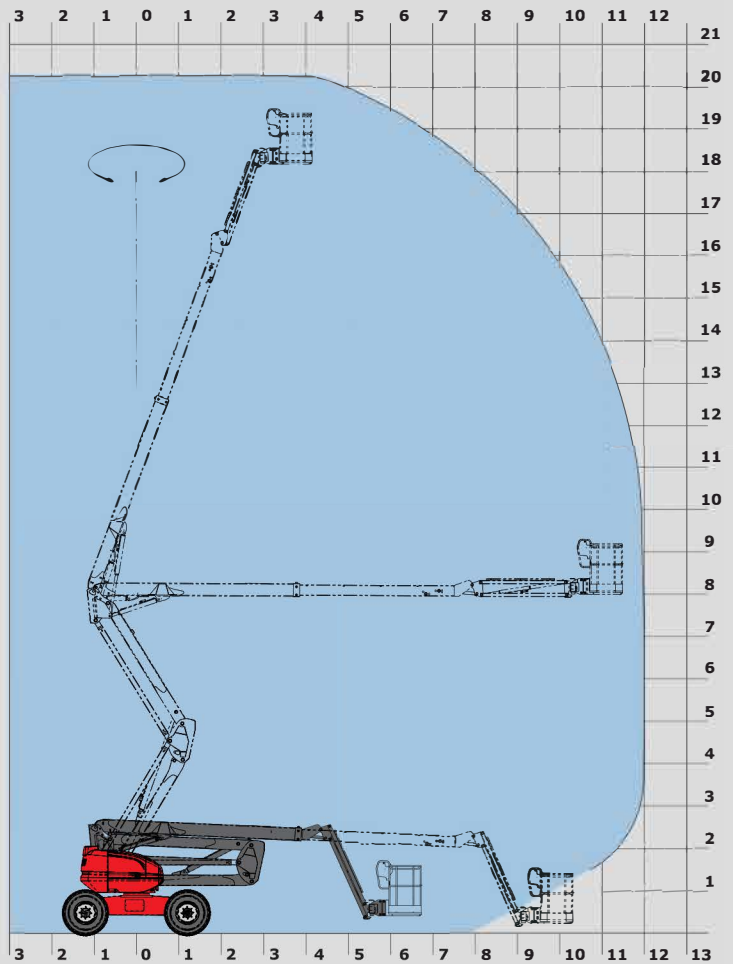
Weight10 000 kg

Standard equipment

- Proportional controls
- 4 simultaneous movements
- Foam filled tyres
- Differential lock
- Limited-slip front axle
- Diagnostic-calibrator
- Hourmeter
- Low-fuel indicator
- Horn
- Flashing beacon
- Audible and visual tilt and overload alarms
- Slope over ride
- Lifting eyes
- Electric emergency pump
- Prefitted for 230 V
- Dead man's pedal
- Tool tray
- Protective cover (lockable)

Options

- Continuous rotation
- Oscillating axle
- 230 V outlet with residual current device
- On-board generator (230 V or 110 V)
- Working headlight
- Cold countries kit
- Compressed air predisposal
- Water predisposal
- Refinery kit
- Battery 145 Ah or 160 Ah



Unit A12/A13
 Kenyon Court
 Walter Leigh Way
 Moss Industrial Estate
 Leigh, WN7 3PT



0800 085 3709



info@aerialplatforms.co.uk

