

# Model E300AJP

ARTICULATING BOOM LIFTS



## MORE ECONOMIC

- Electric power for zero emissions and near-silent running indoors.

## MORE PRODUCTIVE

- No waiting with immediate-response AC drive motors for greater torque and efficiency.

## MORE ACCESS

- Access hard-to-reach places with near-vertical jib positioning and 180-degree side-to-side movement.

## SMART DESIGN

- Enjoy industry leading upcycles so you can work longer with higher productivity.

### Standard Features

- 0.76 m x 1.22 m low mount platform
- Side entry with drop bar mid rail
- Multiple function operation
- Full proportional drive joystick control with integral thumb steer switch
- Full proportional main boom and swing joystick control
- Multiple speed control for lower boom, telescope, jib and platform rotate
- Selectable creep speed on drive / lift and swing functions
- 1.22 m articulating jib
- JibPLUS<sup>®</sup> with 4 way axis 1.22m Jib
- 180 degree powered platform rotator
- Platform console machine status light panel <sup>1</sup>
- Load sensing system
- AC power cable to platform
- Two Wheel Direct Electric Drive
- Automatic traction control
- Programmable "Personality" settings
- On-board self-diagnostic testing
- Enclosed battery / electrical compartment
- 20 amp automatic battery charger
- Automatic rear wheel brakes
- Sculptured ABS hoods
- 3 degree tilt alarm and indicator light
- 1.22m narrow frame
- Lifting/tie down lugs
- Ground control selector switch with key lock
- Battery condition indicator
- Hour meter
- Horn
- Manual descent system
- Platform tool tray
- JLG Skyguard active system



<sup>1</sup> Provides indicator lights at platform control console for system distress, low battery, tilt light, and foot switch status.

### Standard Specifications

Power Source	
• Electrical System	48V AC
• Batteries - deep cycle	8 x 6V 305 A/hr
• Drive Motors	Dual AC Traction
Hydraulic System	
• Hydraulic Motor	Perm. Magnet
Tyres	25 x 7-12 Non marking

### Accessories & Options

- Self closing inward swing gate
- 8 x 6V, 370 A/hr Batteries
- All motion alarm
- 305 A/hr AGM Batteries
- Alarm package <sup>2</sup>
- Platform worklights
- Amber strobe light
- Euro Plug & Socket
- Acrylic console shield
- Cylinder bellows
- Skyguard beacon (ILOS)
- Synthetic Biodegradable Hydraulic Oil
- Programmable Security Lock
- Special paint colour



0800 085 3709  
WWW.AERIALPLATFORMS.CO.UK

**HIRE NOW!**

Aerial Platforms Ltd, Denebrook Court, Greenfold Way, Leigh, WN7 3XJ

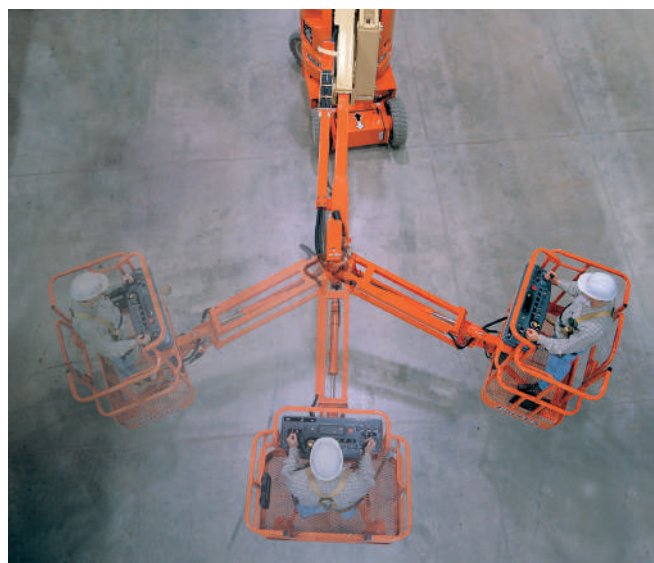
# Model E300AJP

## ARTICULATING BOOM LIFTS

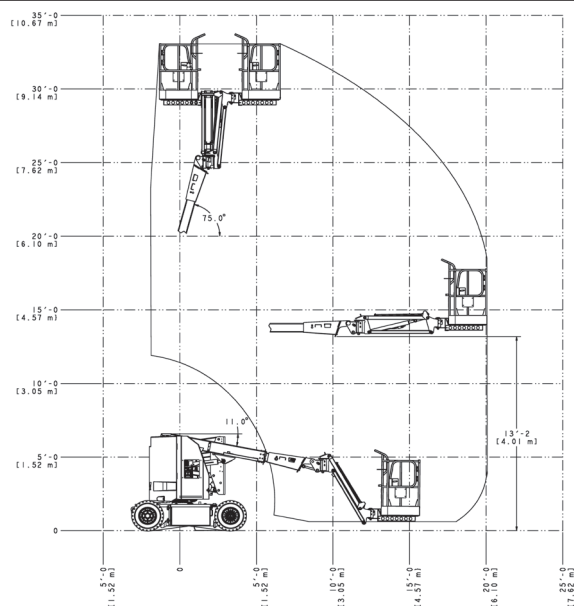
### Performance

- Working Height 10.97 m
- Working Outreach 6.77 m
- Up and Over Height 4.01 m
- Swing (non-continuous) 350°
- Platform Capacity – Unrestricted 230 kg
- Platform Rotator (Hydraulic) 180°
- Jib – Overall Length 1.22 m
- Jib – Range of articulation 144° Vertical (+84°/-60°)
  - A. Platform Size 0.76 m x 1.22 m
  - B. Overall Width 1.22 m
  - C. Tailswing (working condition) Zero
  - D. Stowed Height 2.01 m
  - E. Stowed Length 5.74 m
  - F. Wheelbase 1.65 m
  - G. Ground Clearance 0.10 m
- Machine weight <sup>1</sup> 7,100 kg
- Maximum Ground Bearing Pressure 11.95 kg/cm<sup>2</sup>
- Drive Speed 7.2 km/h
- Gradeability 25%
- Turning Radius – Inside 1.52 m
- Turning Radius – Outside 3.10 m

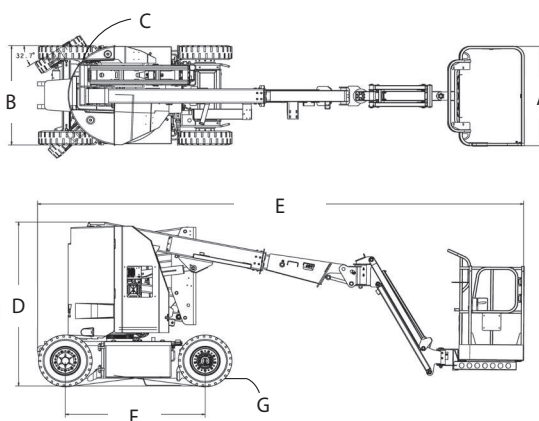
<sup>1</sup> Certain options or country standards may increase weight and/or dimensions.



### Reach Diagram



### Dimensions



**0800 085 3709**  
[WWW.AERIALPLATFORMS.CO.UK](http://WWW.AERIALPLATFORMS.CO.UK)

**HIRE NOW!**

Aerial Platforms Ltd, Denebrook Court, Greenfold Way, Leigh, WN7 3XJ