

Model M600JP

TELESCOPIC BOOM LIFTS



MORE ECONOMIC

- Electric power for zero emissions and near-silent running indoors.

MORE PRODUCTIVE

- Stay up and running longer with onboard charging.

MORE ACCESS

- Get great access to hard-to-reach places with near-vertical jib positioning and 180-degree side-to-side movement.

SMART DESIGN

- Enjoy industry leading upcycles so you can work longer with higher productivity.

Standard Features

- 0.76 m x 1.83 m low mount platform
- Side entry with drop bar mid rail
- Multiple function operation
- Full proportional drive joystick control with integral thumb steer switch
- Full proportional main boom and swing joystick control
- Multiple speed control for lower boom, telescope, jib and platform rotate
- Selectable creep speed on drive / lift and swing functions
- 1.22 m articulating jib
- JibPLUS[®] with 4 way axis 1.24m Jib
- 180 degree powered platform rotator
- Platform console machine status light panel¹
- Load sensing system
- AC power cable to platform
- Two Wheel Direct Electric Drive
- Automatic traction control
- Programmable "Personality" settings
- On-board self-diagnostic testing
- Enclosed battery / electrical compartment
- 23 amp automatic battery charger
- Automatic rear wheel brakes
- Sculptured ABS hoods
- 3 degree tilt alarm and indicator light
- Oscillating front axle
- Lifting/tie down lugs
- Ground control selector switch with key lock
- Battery condition indicator
- Hour meter
- Horn
- Platform tool tray
- Manual descent system
- 2.42 m frame
- JLG Skyguard active system

¹ Provides indicator lights at platform control console for system distress, low battery, tilt light, and foot switch status.

Standard Specifications

Power Source	
• Electrical System	48V DC
• Batteries - deep cycle	8 x 6V 415 A/hr
• Drive Motors	Dual Electric Traction
Hydraulic System	
• Hydraulic Pump Motor	Perm. Magnet
• Generator Set - Fully Automatic	Kubota OC60 Air-cooled 5 kW
Tyres	
• Tyres (foam filled/non-marking)	36/14LL-22.5
Generator Set	Kubota OC60 Air-cooled 5 kW



Accessories & Options

- 0.76 m x 1.22 m slide bar side entry platform
- 0.76 m x 1.22 m Self closing inward swing gate
- 13 mm air line to platform
- All wheel assist
- All motion alarm
- Alarm package²
- Platform worklights
- Head and tail lights
- Light package³
- Amber strobe light
- Euro Plug & Socket
- Acrylic console shield
- Soft Touch 0.76 m x 1.83 m Platform Proximity System
- Skyguard beacon (ILOS)
- Tow Package
- Hostile environment kit
- Synthetic Biodegradable Hydraulic Oil
- Special paint colour
- 370 A/hr AGM batteries
- Container transport wheels

² Includes all-motion alarm and amber strobe light.

³ Includes head & tail lights and platform work lights.



0800 085 3709

WWW.AERIALPLATFORMS.CO.UK

HIRE NOW!

Aerial Platforms Ltd, Denebrook Court, Greenfold Way, Leigh, WN7 3XJ

Model M600JP

TELESCOPIC BOOM LIFTS

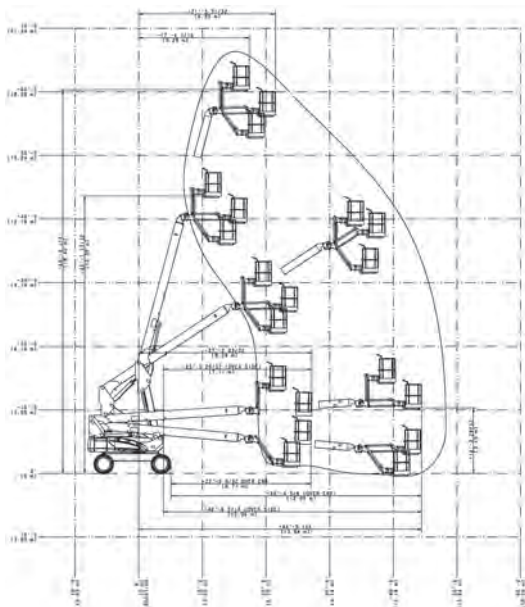
Performance

- Working Height 20.39 m
- Working Outreach 14.19 m
- Swing (non-continuous) 400°
- Platform Capacity – Unrestricted 230 kg
- Platform Rotator (Hydraulic) 180°
- Jib – Overall Length 1.24 m
- Jib – Range of articulation 145° Vertical (+89°/ -56°)
 - A. Platform Size 0.76 m x 1.83 m
 - B. Overall Width 2.42 m
 - C. Tailswing (working condition) 1.23 m
 - D. Stowed Height 2.54 m
 - E. Stowed Length 10.15 m
 - F. Wheelbase 2.74 m
 - G. Ground Clearance 0.30 m
- Maximum Ground Bearing Pressure 3.9 kg/cm²
- Machine weight ¹ 8,015 kg
- Drive Speed 4.8 km/h
- Gradeability 30%
- Axle Oscillation 0.20 m
- Turning Radius – Inside 1.22 m
- Turning Radius – Outside 4.64 m

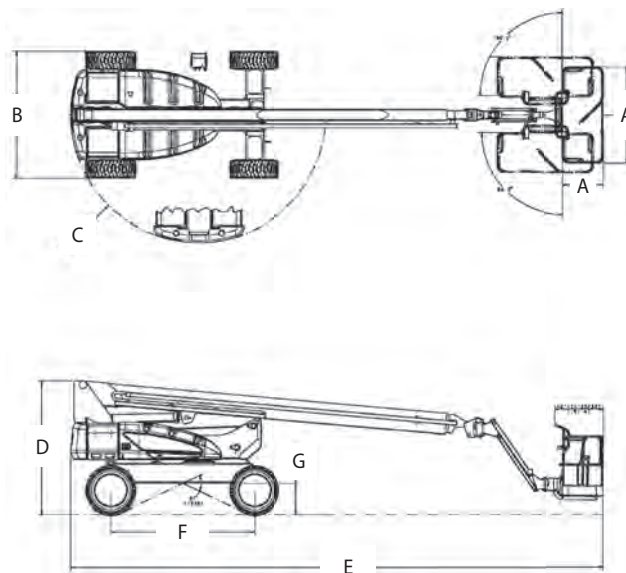
¹ Certain options or country standards may increase weight and/or dimensions.



Reach Diagram



Dimensions



AFL
AERIAL PLATFORMS

0800 085 3709
WWW.AERIALPLATFORMS.CO.UK

HIRE NOW!

Aerial Platforms Ltd, Denebrook Court, Greenfold Way, Leigh, WN7 3XJ