

# Model 1930ES

SCISSOR LIFTS



## MORE ECONOMIC

- Electric power for zero emissions and near-silent running indoors.

## MORE PRODUCTIVE

- Boost efficiency with direct electric drive.

## MORE ACCESS

- Get into more places with compact dimensions and precise control system.

## SMART DESIGN

- Enjoy industry leading upcycles so you can work longer with higher productivity.



## Standard Features

- 0.90 m roll-out deck extension
- Fold Down Handrails
- Half swing gate
- Removable platform console box
- Lanyard attach points
- Full proportional drive joystick control with integral thumb steer switch
- Proportional lift/lower speed control
- Joystick enable for lift and drive
- Load sensing system
- Automatic positive traction
- Programmable "Personality" settings
- On-board self-diagnostic testing
- Swing-out battery/electrical compartment doors
- 20 amp automatic battery charger
- Dual motor direct electric front wheel drive & steer
- Dual wheel automatic brakes
- Emergency brake release
- Pothole protection system
- AC cable to platform
- Battery condition indicator
- Hour meter
- Lubrication free scissor arm bushings
- Scissor maintenance prop
- Manual descent
- Horn
- Slope alarm and light
- Tie down lugs
- Fork lift pockets

## Standard Specifications

- Tyres (Non-Marking Solid) 323 x 100
- Drive 24V Electric 6 kW
- Deep Cycle Batteries 4 x 6V 220 A/hr
- Charger (120/240V – 50/60HZ) 20 Amp Automatic
- Hydraulic System 8.3 L

## Accessories & Options

- 13mm air line to platform
- Platform work-lights
- 220 A/hr AGM Batteries
- Lifting lugs
- All motion alarm
- Descent alarm
- Alarm package <sup>1</sup>
- Platform padding
- Workstation c/w 12V outlet
- Workstation w/o 12V outlet
- Amber strobe light
- Euro Plug & Socket
- Synthetic Biodegradable Hydraulic Oil
- Electrician Tree
- Special paint colour

<sup>1</sup> Includes all-motion alarm + amber strobe light.

Certain options or country standards may increase weight and/or dimensions.



0800 085 3709  
WWW.AERIALPLATFORMS.CO.UK

**HIRE NOW!**

Aerial Platforms Ltd, Denebrook Court, Greenfold Way, Leigh, WN7 3FZ

SS PART OF THE CENTURION GROUP

# Model 1930ES

## SCISSOR LIFTS

### Performance

• Working Height	7.72 m
• Platform Height – Elevated	5.72 m
A. Stowed Height	2.02 m
B. Platform Railing Height	1.10 m
C. Stowed Height (Rails Folded) <sup>1</sup>	1.59 m
D. Platform Size (W x L)	0.76 m x 1.87 m
E. Deck Extension	0.90 m
F. Overall Width	0.76 m
G. Overall Length	1.87 m
H. Wheelbase	1.60 m
I. Ground Clearance	0.09 m
• Platform Capacity <sup>2</sup>	230 kg
• Capacity on Optional Deck Extension	120 kg
• Lift/Lower Time	20/30 sec.
• Maximum Drive Height	5.72 m
• Machine weight <sup>3</sup>	1,565 kg
• Maximum Ground Bearing Pressure	8.73 kg/cm <sup>2</sup>
• Drive Speed – Lowered	4.8 km/h
• Gradeability	25%
• Turning Radius – Inside	Zero
• Turning Radius – Outside	1.75 m

<sup>1</sup> Folding rails standard on all ES models in CE spec.

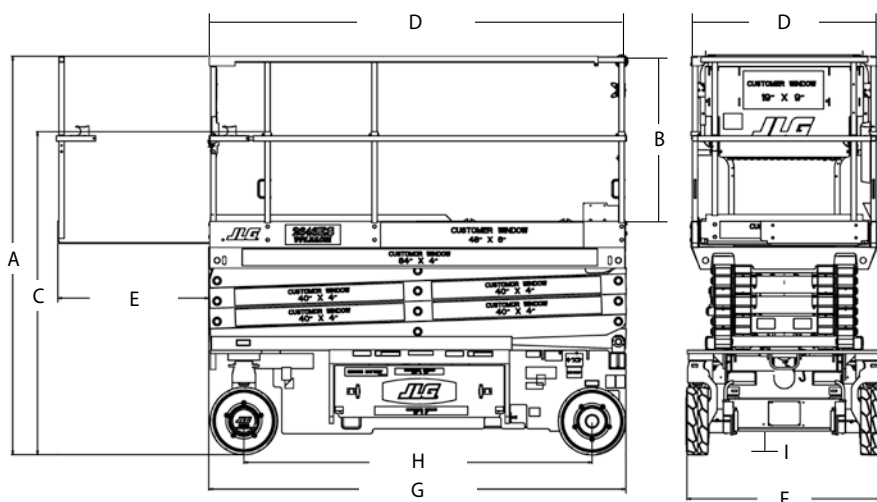
<sup>2</sup> Capacities shown are maximum with 2 persons indoor on all models. Outdoor ratings are:

1930ES – 1 person / 120 kg; 2030ES – 1 person / 160 kg; 2646ES – 2 person / 230 kg; 3246ES – 1 person / 320 kg.

<sup>3</sup> Certain options or country standards may increase weight and/or dimensions.



### Dimensions



# 0800 085 3709

[WWW.AERIALPLATFORMS.CO.UK](http://WWW.AERIALPLATFORMS.CO.UK)

Aerial Platforms Ltd, Denebrook Court, Greenfold Way, Leigh, WN7 3FZ

## HIRE NOW!

PART OF THE CENTURION GROUP